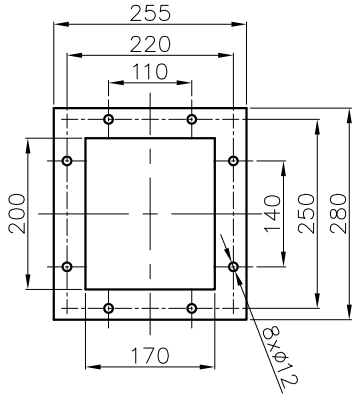


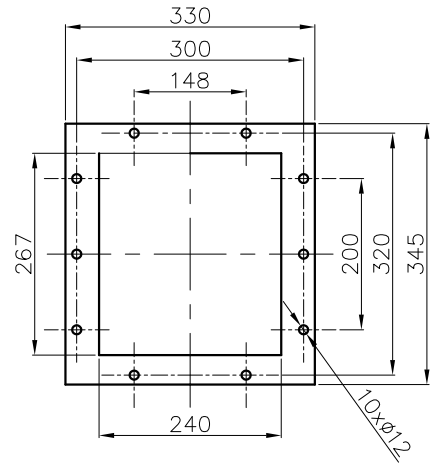
DETALLE BRIDAS

BOCA DE CARGA

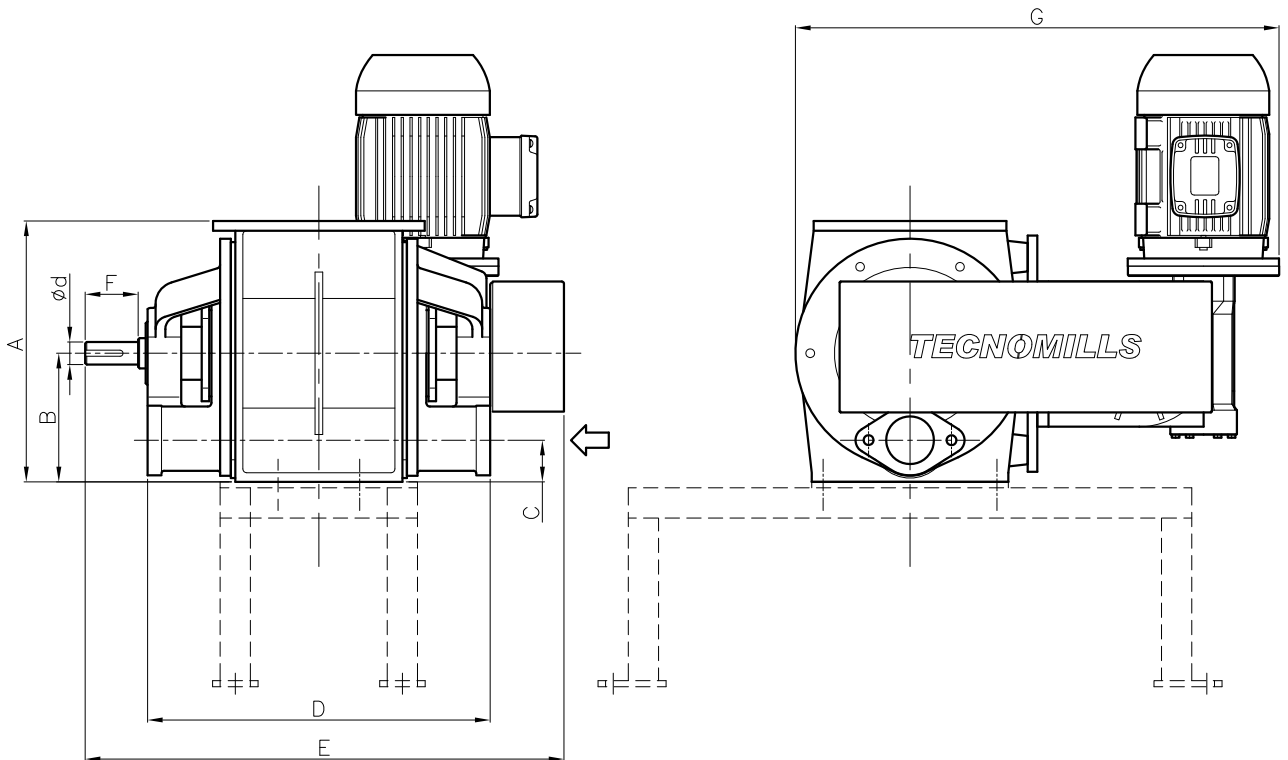
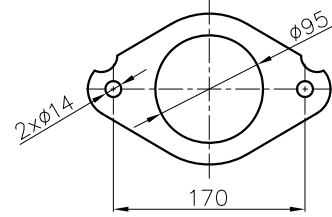
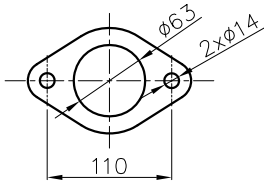
ESH-076



ESH-095



EMPALME A CAÑERÍA



| | | | | | | | | | | | | | | |
|---------|-----|-----|----|-----|-----|----|-----|----|------------------------|---------------------|--------------------------------|--------|------------------|--------------|
| ESH-095 | 445 | 238 | 77 | 540 | 715 | 70 | 715 | 35 | 14.8 | 80% | 16.6 | 23.5 | 2 | 190 |
| ESH-076 | 345 | 170 | 55 | 453 | 633 | 70 | 640 | 30 | 6.39 | 60% | 12.4 | 17.6 | 2 | 110 |
| MODELO: | A | B | C | D | E | F | G | Ød | Vol./Vuelta [L/RPM] | Coef. de llenado | 36 RPM | 51 RPM | Potencia [HP] | Peso [Kg] |
| | | | | | | | | | | | Cap. [Tn/hr] con $\gamma=0.65$ | | | |

Nos reservamos el derecho de modificar diseños, materiales y datos sin indicación previa



TECNOMILLS

Denominación:

VÁLVULA ESCLUSA
PASAJE HORIZONTAL